

Smart HMI with 9.7" XGA TFT Display



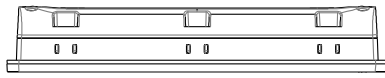
Feature

- 9.7" 1024 x 768 TFT LCD
- Fan-less Cooling System
- Built-in 32GB SSD and RTC
- SD Card Slot Supports SD/SDHC/SDXC Cards
- Built-in Power Isolator
- NEMA4 / IP65 Compliant Front Panel

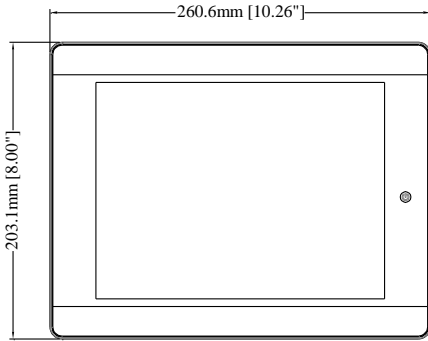
Display	Display	9.7" TFT
	Resolution	1024 x 768
	Brightness (cd/m ²)	350
	Contrast Ratio	500:1
	Backlight Type	LED
	Backlight Life Time	>30,000 hrs.
	Colors	262K
	LCD Viewing Angle (T/B/L/R)	60/70/70/70
Touch Panel	Type	4-wire Resistive Type
	Accuracy	Active Area Length(X)±2%, Width(Y)±2%
Memory	SSD	32 GB
	RAM	4 GB
Processor		Intel Atom E3827
I/O Port	SD Card Slot	SD/SDHC/SDXC
	USB Host	USB 2.0 x 2 / USB 3.0 x 1
	Ethernet	10/100/1000 Base-T x 2
	Audio Output	Built-in Mono Speaker Audio Line Out – 3.5 mm jack x 1
RTC		Built-in
Power	Input Power	24±20%VDC
	Power Isolation	Built-in
	Power Consumption	1.5A@24VDC
	Voltage Resistance	500VAC (1 min.)
	Isolation Resistance	Exceed 50MΩ @ 500VDC
	Vibration Endurance	10 to 25Hz (X, Y, Z direction 2G 30 minutes)
Specification	PCB Coating	Yes
	Enclosure	Plastic
	Dimensions WxHxD	260.6 x 203.1 x 44.5 mm
	Panel Cutout	250 x 192 mm
	Weight	Approx. 1.1 kg
	Mount	Panel mount, VESA mount 75 x 75 mm
Environment	Protection Structure	UL Type 4X (indoor use only) / NEMA4 / IP65 Compliant Front Panel
	Storage Temperature	-20° ~ 60°C (-4° ~ 140°F)
	Operating Temperature	0° ~ 50°C (32° ~ 122°F)
	Relative Humidity	10% ~ 90% (non-condensing)
Certificate	CE	CE marked
	UL	cULus Listed
OS Support		*Windows® 7 / Windows® 8.1 (EasyLauncher + cMT Viewer)

*License of Windows OS is excluded.

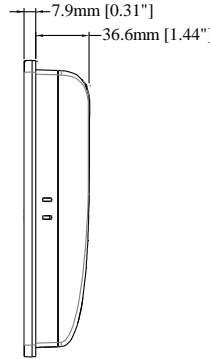
Dimensions



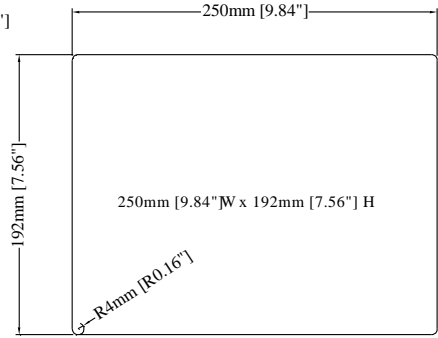
Top View



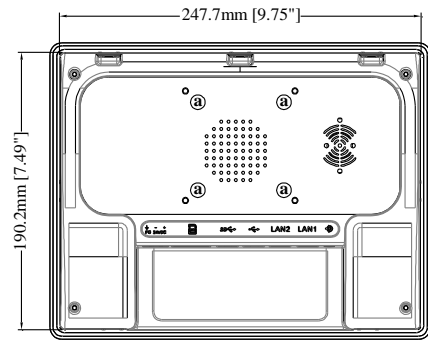
Front View



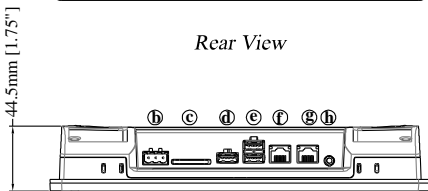
Side View



Cutout Dimensions



Rear View



Bottom View

a	VESA 75mm Screw Holes	h	Line Out
b	Power Connector		
c	SD CARD SLOT		
d	USB Host port 3.0		
e	USB Host port 2.0		
f	LAN 2		
g	LAN 1		

Ordering Information

- cMT-iPC10:**
 9.7" TFT LCD Smart HMI, 32GB SSD, 4GB DDR3L SO-DIMM